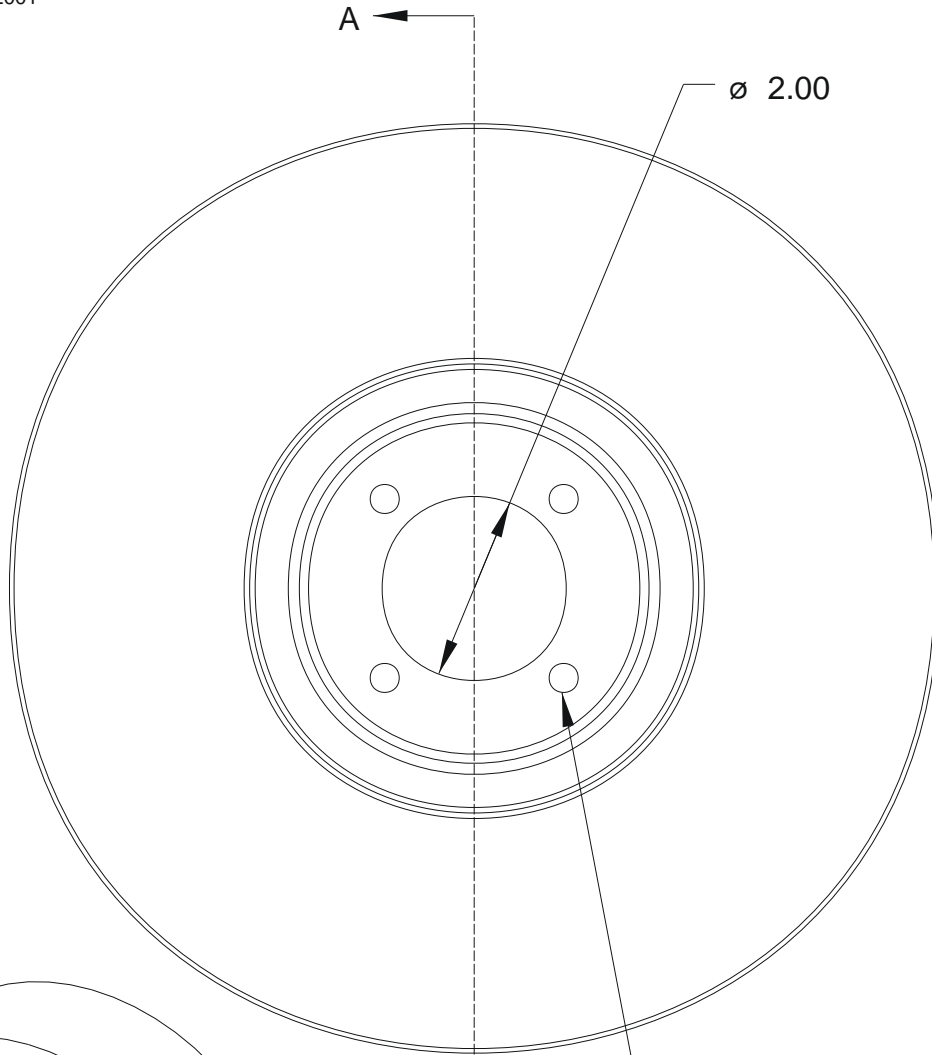
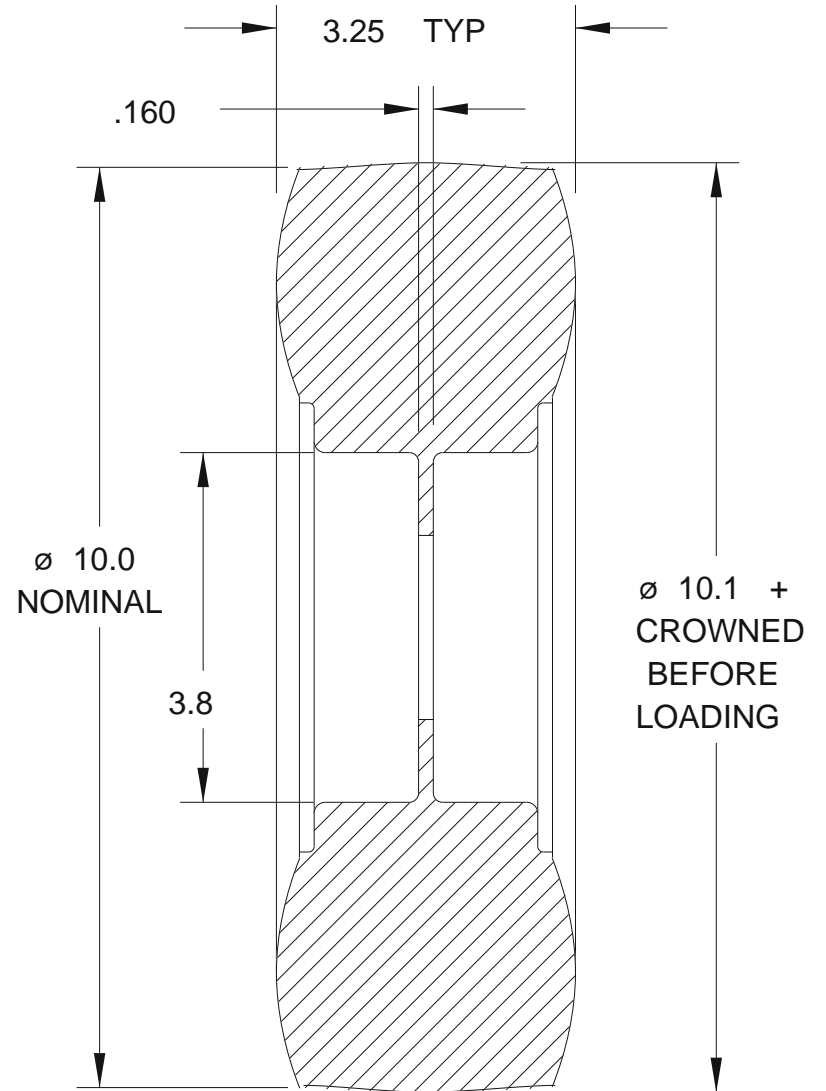


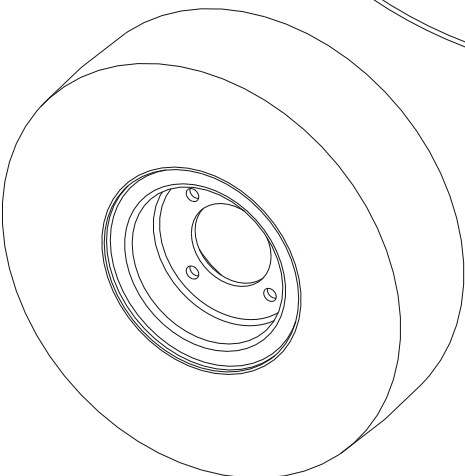
DRAWN BY: MIKE KONSHAK
MODIFIED: 6/18/2001



4X ø.315 ON 4X ø2.75 B.C.



SECTION A-A



SCALE 0.250



NATIONAL POWER CHAIR
PN: NPC-PT444 WHEEL-TIRE ASSY
FOAM FILLED 4.10/3.50-4 TIRE
HUB MAT'L: STL ASSY WEIGHT: 5 LBS