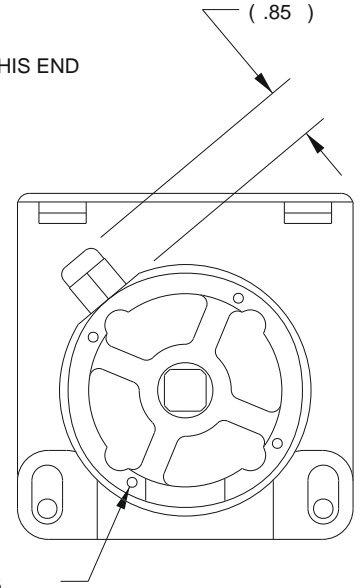
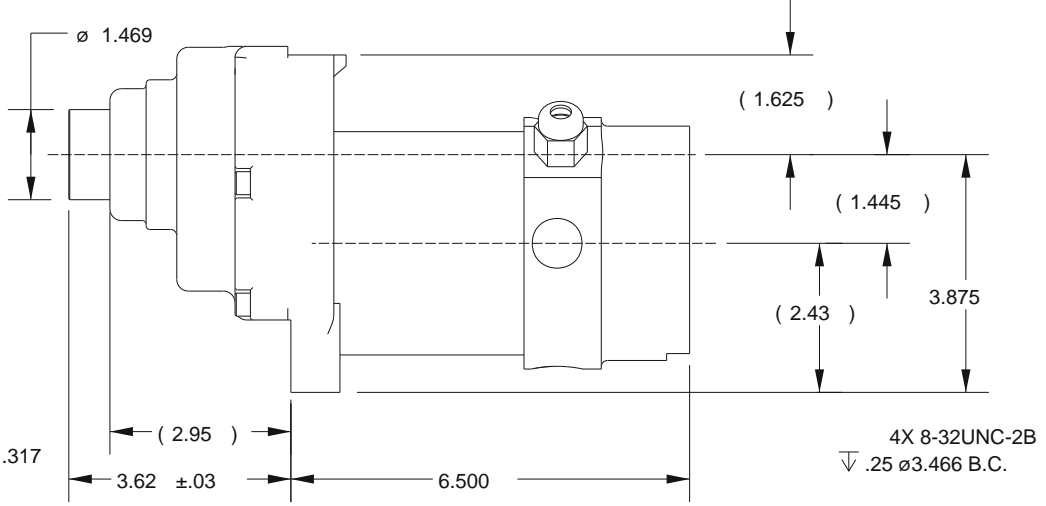
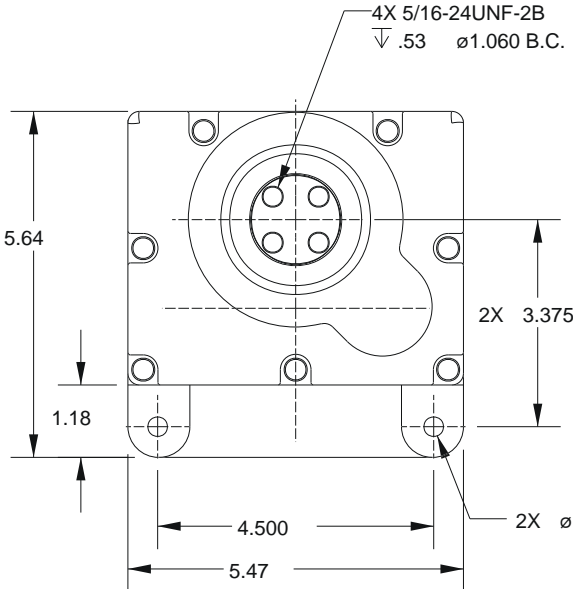
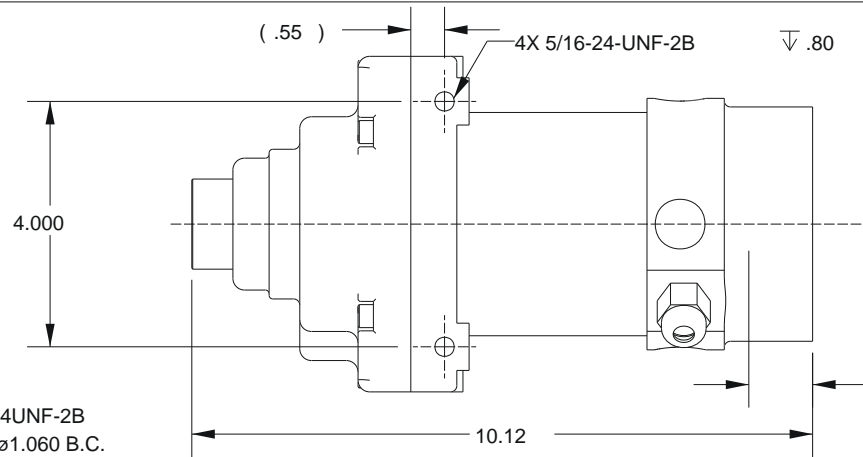


DRAWN BY: MIKE KONSHAK  
MODIFIED: 10/03/01



NATIONAL POWER CHAIR  
P/N NPC-64038  
24V 230 RPM 4-POLE  
BI-DIR GEAR MOTOR  
APPROX WEIGHT: 13 LBS



14 AWG LEADS (BLK AND RED)  
APPROX 13 IN LONG

