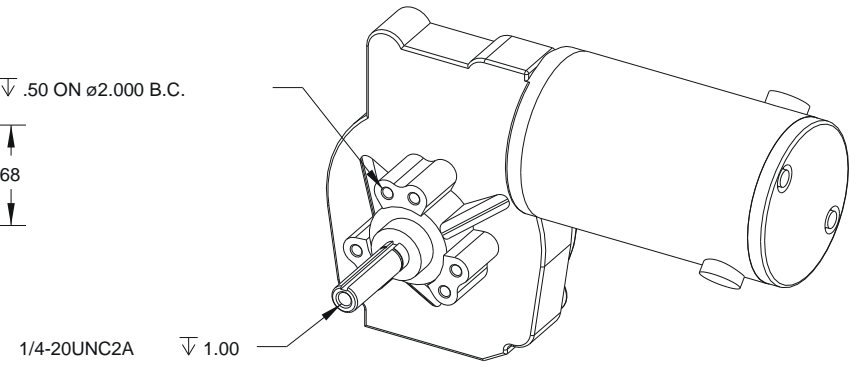
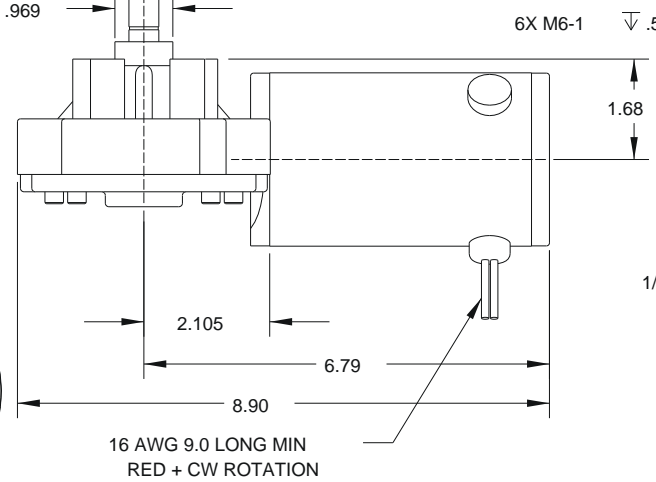
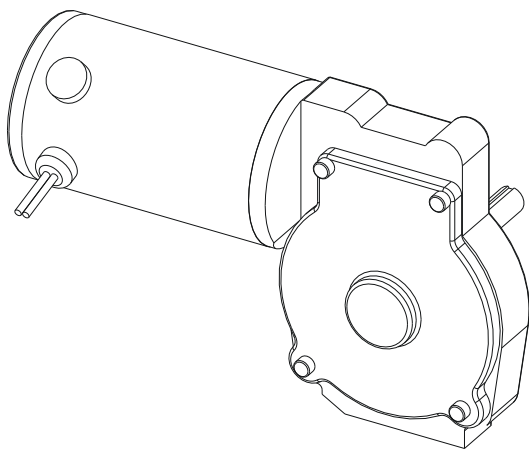
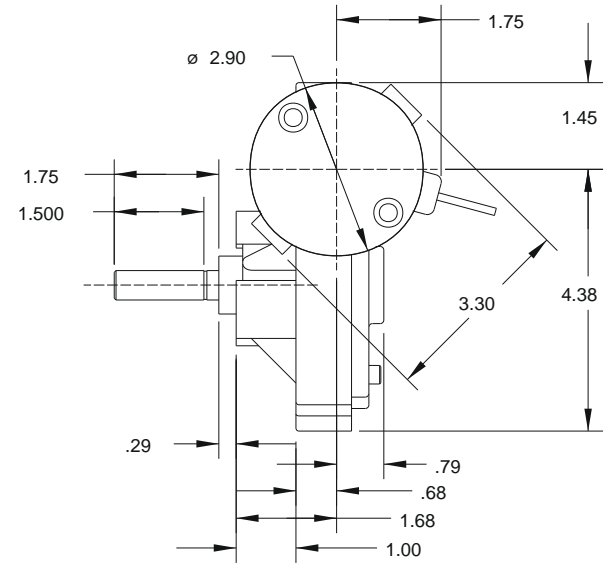
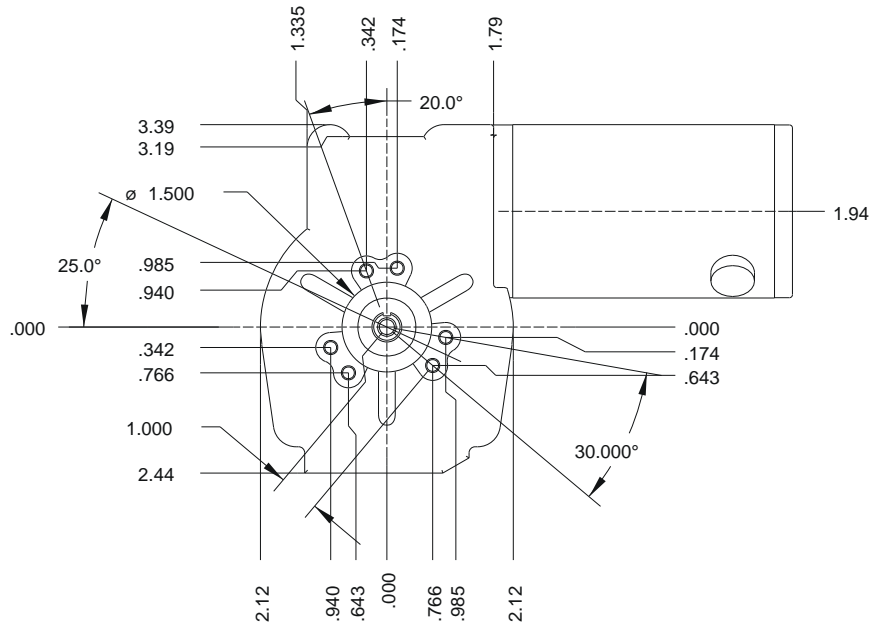


DRAWN BY: MIKE KONSHAK  
 MODIFIED: 11-SEP-2001



**NPC ROBOTICS**  
**NPC-41250**  
 88-98 RPM @ 12V DC  
 GEAR RATIO: 48.5:1  
 8.5 AMPS NO LOAD, 7.5 LBS