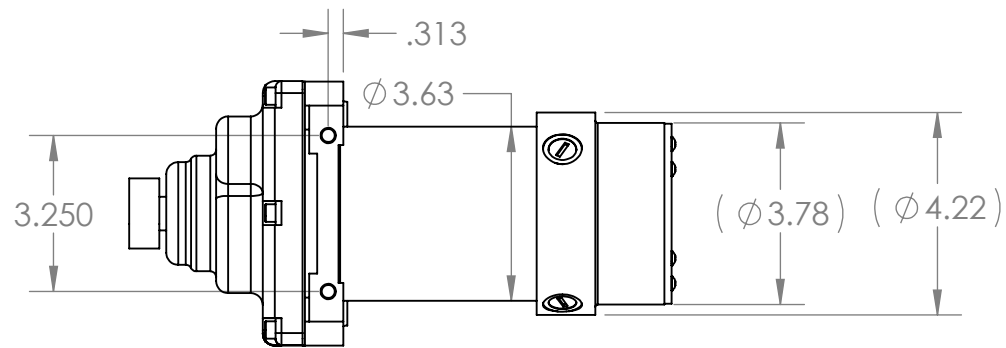
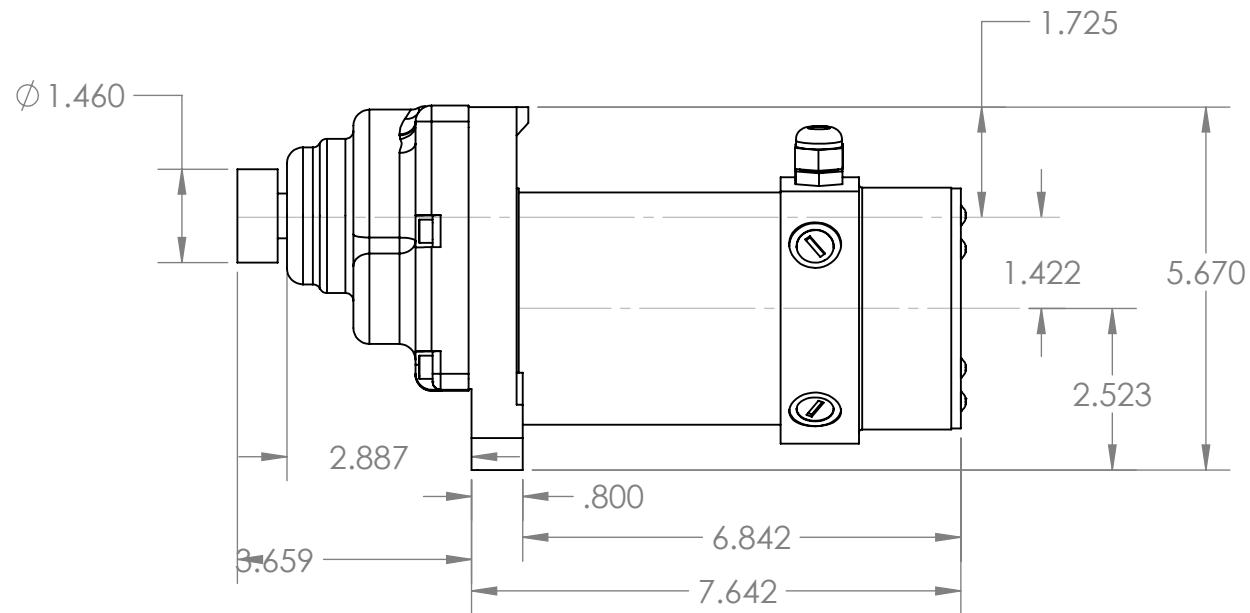
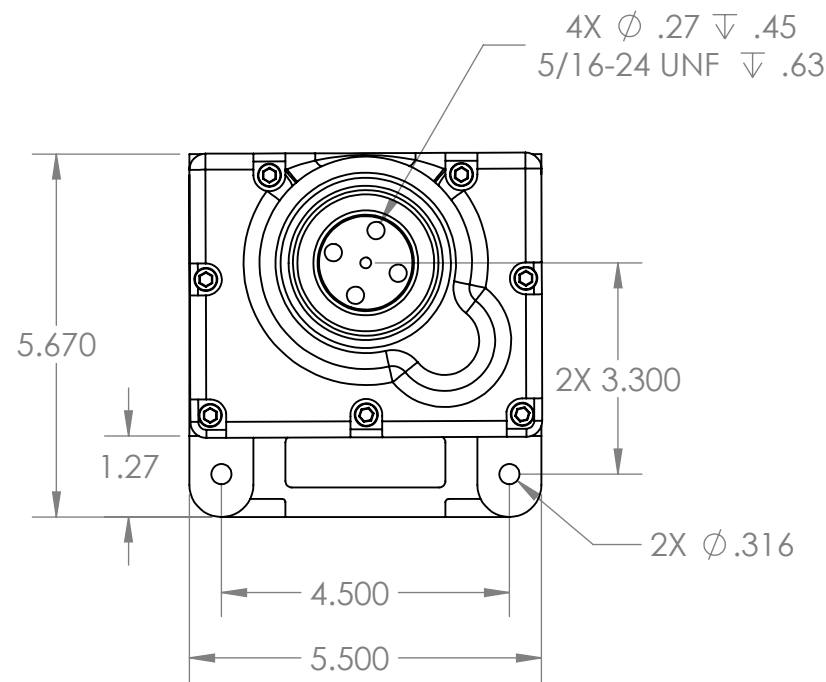
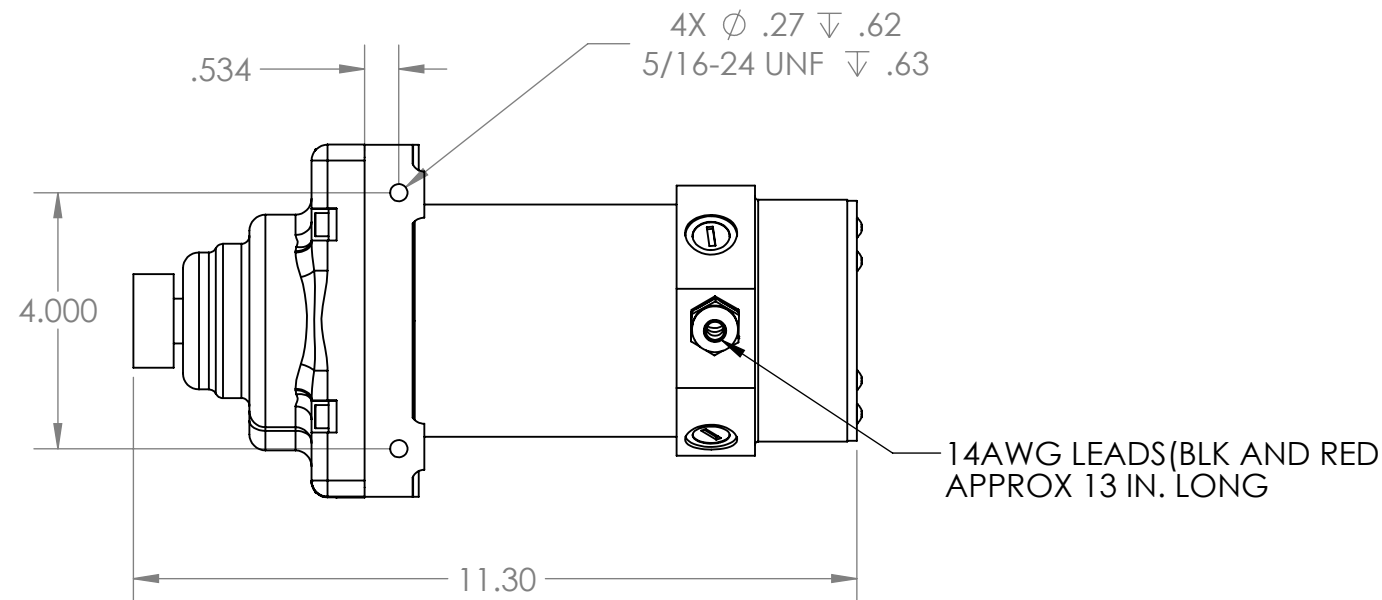
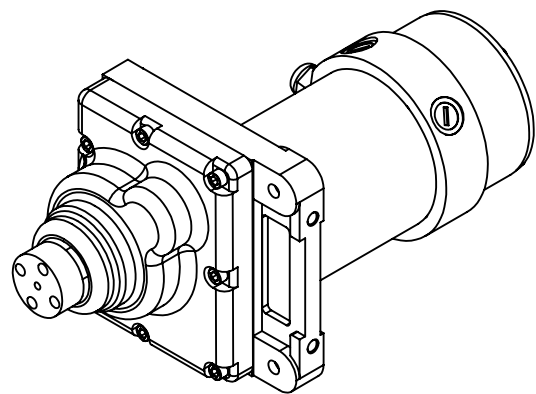


REVISION			
REV.	DESCRIPTION	DATE	APPRO.



ASSEM./PART NO. NPC-A0045288

UNLESS OTHERWISE INDICATED ALL HARDCOPY DRAWINGS ARE UNCONTROLLED DOCUMENTS

APPLICABLE STANDARDS/SPECIFICATIONS
 ASME Y14.100M- 1998
 ASME Y14.5M - 1994
 ASME Y14.38- 1999

WARNING:
 THIS DOCUMENT CONTAINS TECHNICAL DATA WHOSE EXPORT IS RESTRICTED BY THE ARMS EXPORT CONTROL ACT (TITLE 22, U.S.C. SEC 2751 ET SEQ.) OR THE EXPORT ADMINISTRATION ACT OF 1979, AS AMENDED (TITLE 50 U.S.C. APP 2401 ET SEQ.). VIOLATIONS OF THESE EXPORT LAWS ARE SUBJECT TO SEVERE CRIMINAL PENALTIES. THIS INFORMATION MUST NOT BE TRANSFERRED TO A FOREIGN PERSON OR ENTITY WITHOUT THE PROPER AUTHORIZATION OF THE U.S. GOVERNMENT. VIOLATIONS MAY RESULT IN CIVIL, ADMINISTRATIVE, OR CRIMINAL PENALTIES. DISSEMINATE ONLY IN ACCORDANCE WITH THE PROVISIONS OF DOD DIRECTIVE 5230.25

UNLESS OTHERWISE SPECIFIED:
 DIMENSIONS ARE PRIOR TO FINISH/COATING
 DIMENSIONS ARE IN INCHES

TOLERANCES:
 FRACTIONAL ± 1/16
 BEND ± 1°
 TWO PLACE DECIMAL ± .01
 THREE PLACE DECIMAL ± .005

DO NOT SCALE DRAWING

PROPRIETARY AND CONFIDENTIAL
 THE INFORMATION CONTAINED IN THIS DRAWING IS THE SOLE PROPERTY OF NPC ROBOTICS. ANY REPRODUCTION IN PART OR AS A WHOLE WITHOUT THE WRITTEN PERMISSION OF NPC ROBOTICS IS PROHIBITED.

MATERIAL	
FINISH	
NAME	DATE
Admin	09/16/2011
DRAWN	Admin
CHECKED	
ENG APPR.	
MFG APPR.	
Q.A.	

NPC Robotics Mound, MN (952)-472-1513

DWG. TITLE: NPC-T74

SIZE B	DRAWING NO. NPC-A0045288-D01	REV
SCALE:	WEIGHT:	SHEET 1 OF 1