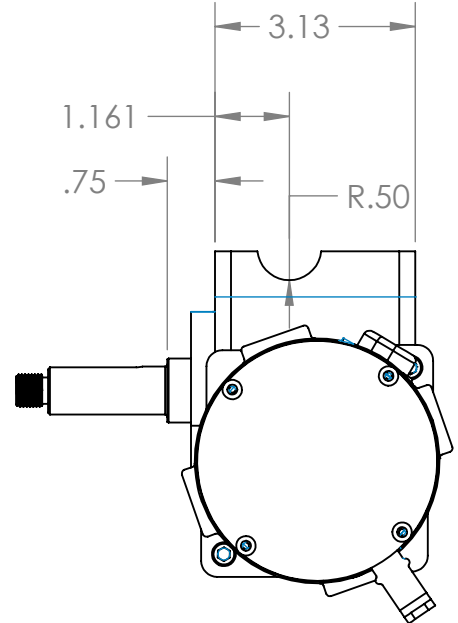
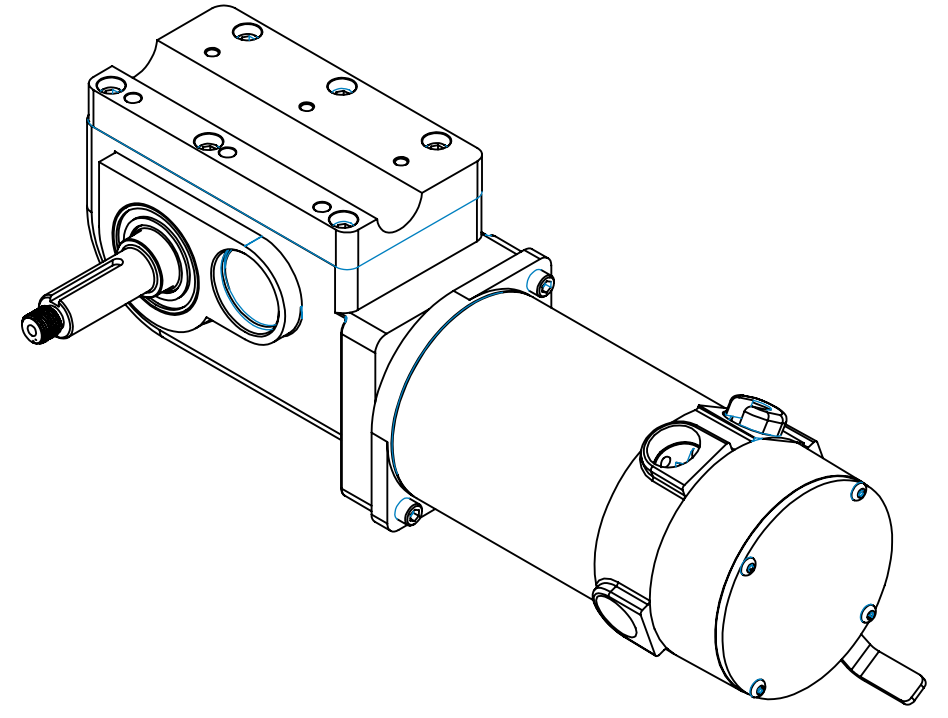
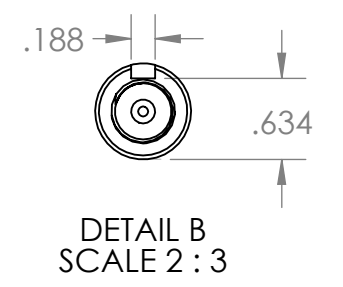
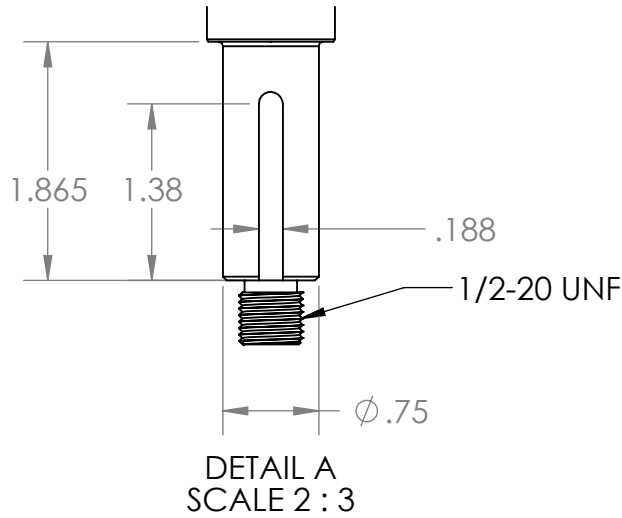
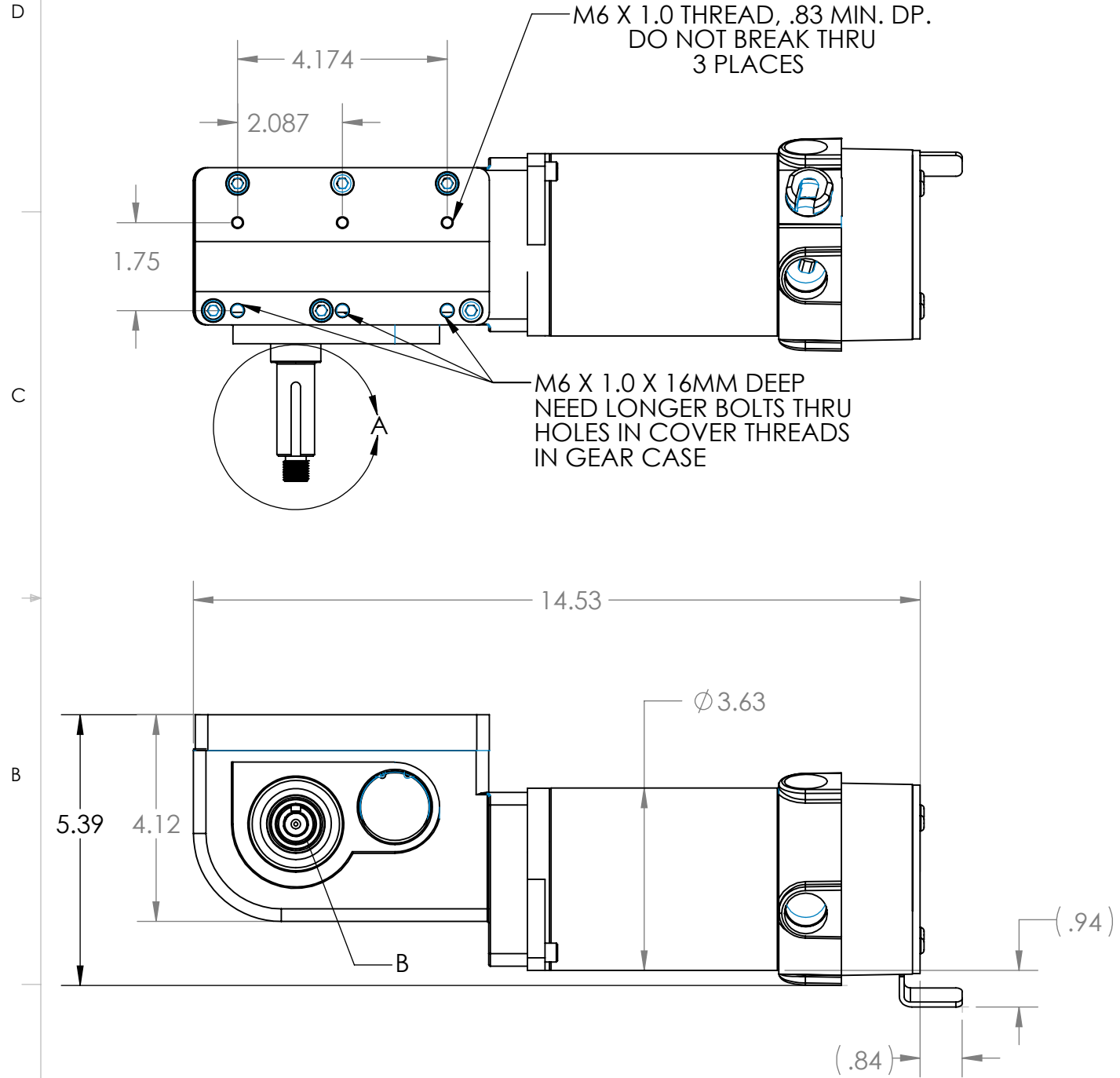


REVISION			
REV.	DESCRIPTION	DATE	APPRO.
A	RELEASE	6/16/2014	R.R.



MOTOR VOLTAGE: 24VDC
 BRAKE VOLTAGE: 24VDC
 STALL TORQUE: 1543 IN-LBS.
 STALL CURRENT: 136.6 AMPS
 PEAK HORSEPOWER: .81 HP
 NO-LOAD SPEED: 132.8 RPM
 NO-LOAD CURRENT: 1.68 AMPS

APPLICABLE STANDARDS/SPECIFICATIONS
 ASME Y14.100M- 1998
 ASME Y14.5M - 1994
 ASME Y14.38- 1999
WARNING:
 THIS DOCUMENT CONTAINS TECHNICAL DATA WHOSE EXPORT IS RESTRICTED BY THE ARMS EXPORT CONTROL ACT (TITLE 22, U.S.C. SEC 2751 ET SEQ.) OR THE EXPORT ADMINISTRATION ACT OF 1979, AS AMENDED (TITLE 50 U.S.C. APP 2401 ET SEQ.). VIOLATIONS OF THESE EXPORT LAWS ARE SUBJECT TO SEVERE CRIMINAL PENALTIES. THIS INFORMATION MUST NOT BE TRANSFERRED TO A FOREIGN PERSON OR ENTITY WITHOUT THE PROPER AUTHORIZATION OF THE U.S. GOVERNMENT. VIOLATIONS MAY RESULT IN CIVIL, ADMINISTRATIVE, OR CRIMINAL PENALTIES. DISSEMINATE ONLY IN ACCORDANCE WITH THE PROVISIONS OF DOD DIRECTIVE 5230.25

UNLESS OTHERWISE INDICATED ALL HARDCOPY DRAWINGS ARE UNCONTROLLED DOCUMENTS

UNLESS OTHERWISE SPECIFIED:
 DIMENSIONS ARE PRIOR TO FINISH/COATING
 DIMENSIONS ARE IN INCHES
 TOLERANCES:
 FRACTIONAL ± 1/16
 BEND ± 1°
 TWO PLACE DECIMAL ± .01
 THREE PLACE DECIMAL ± .005

MATERIAL	
FINISH	
NAME	DATE
DRAWN	Tyler J. 06/8/2014
CHECKED	
ENG APPR.	
MFG APPR.	
Q.A.	

NPC Robotics
 Mound, MN (952)-472-1513

DWG. TITLE:
NPC-B81HT

DO NOT SCALE DRAWING
PROPRIETARY AND CONFIDENTIAL
 THE INFORMATION CONTAINED IN THIS DRAWING IS THE SOLE PROPERTY OF NPC ROBOTICS. ANY REPRODUCTION IN PART OR AS A WHOLE WITHOUT THE WRITTEN PERMISSION OF NPC ROBOTICS IS PROHIBITED.

SIZE	DRAWING NO.	REV
B	-D01	A
SCALE:	WEIGHT:	SHEET 1 OF 1

ASSEM./PART NO.